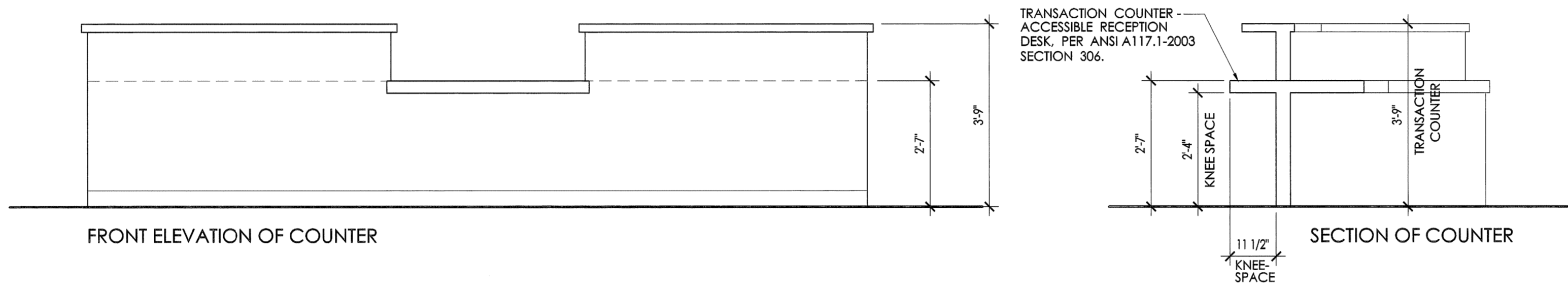
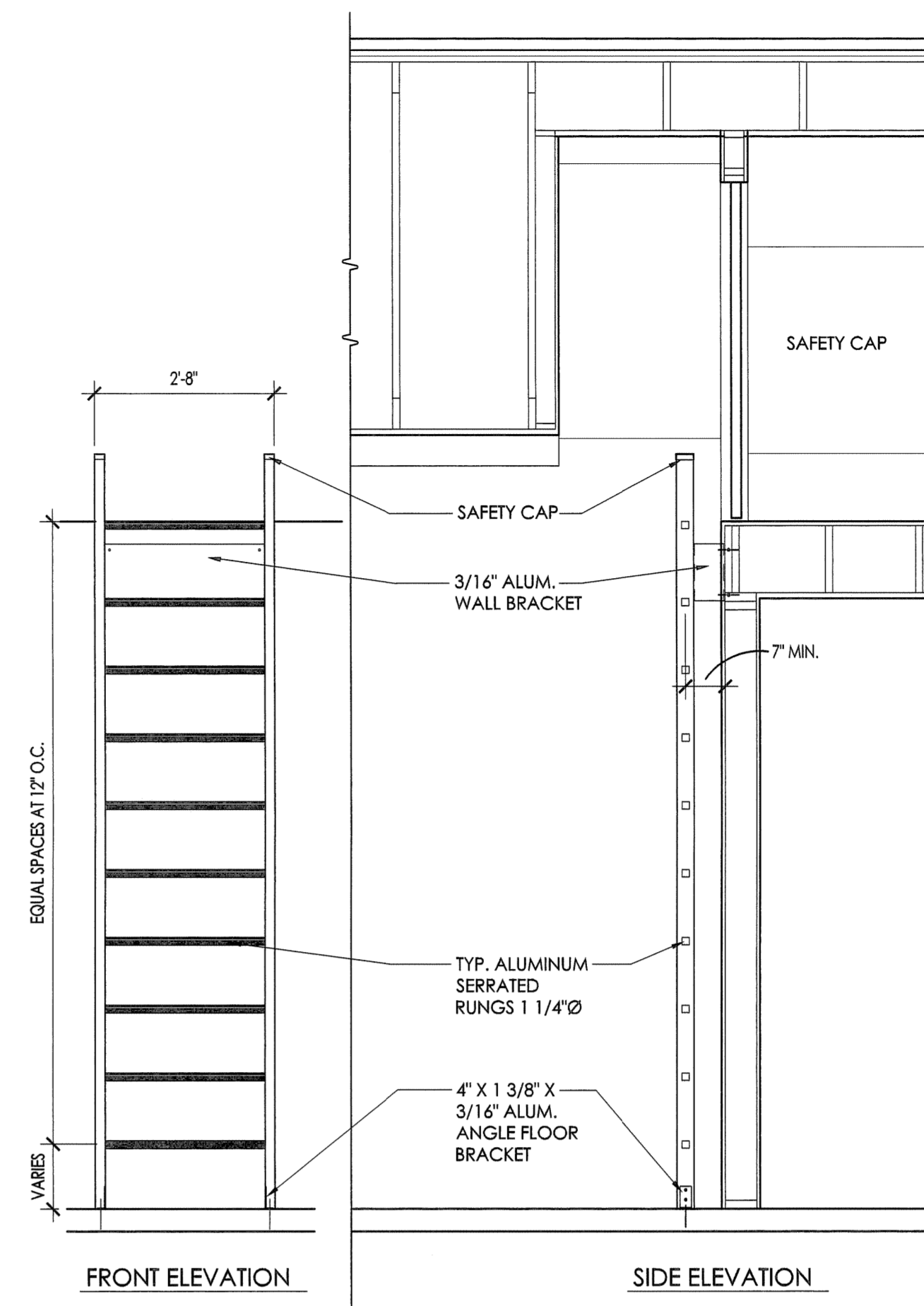


ANSI - ACCESSIBILITY NOTE

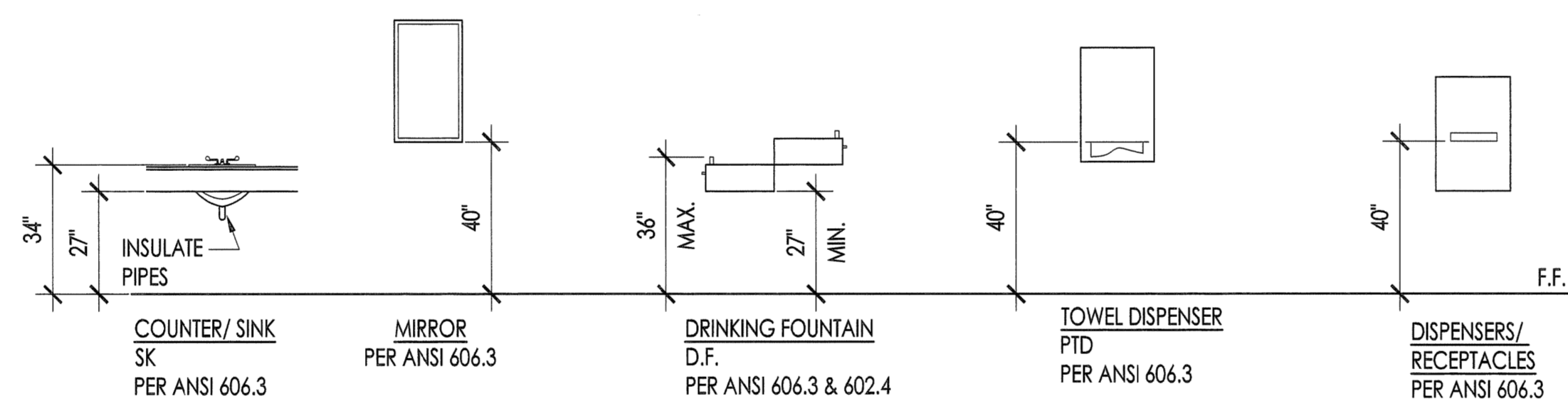
REFER TO "AA" SHEETS FOR TYPICAL APPLICATION OF AND REQUIREMENTS RELATED TO ACCESSIBLE AND USABLE BUILDINGS AND FACILITIES AS OUTLINED IN "ICC / ANSI A117.1 - 2003". WHERE PLAN &/OR ELEVATION DRAWINGS CONFLICT WITH ICC / ANSI A117.1 - 2003 STANDARDS, ICC / ANSI CODE SHEETS TAKE PRECEDENCE.



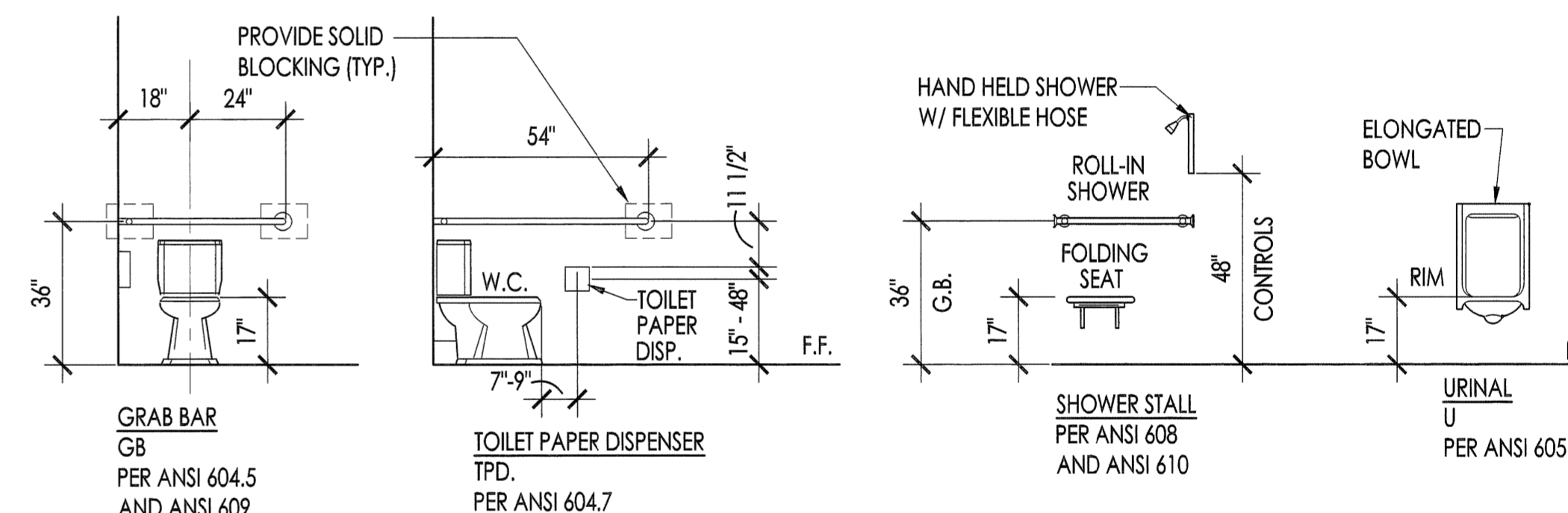
1 DETAILS AT FRONT COUNTER
1/2" = 1' - 0"



2 MECHANICAL ACCESS LADDER DETAIL
1/2" = 1' - 0"



3 TOILET ROOM FIXTURE MOUNTING HEIGHTS
1/4" = 1' - 0"



4 TOILET ROOM FIXTURE MOUNTING HEIGHTS
1/4" = 1' - 0"

Copyright © 2008
These drawings are pending copyright and may not be reproduced or retransmitted without written permission. Use of these drawings are limited to a specific project for persons named. Any other use or reuse is strictly prohibited without written consent from Jeff Dahlquist.

SHEET CONTENTS

INTERIOR ELEVATIONS & DETAILS

DATE & REVISIONS	CHECK SET	PERMIT SET	COMMENTS SET
02/27/08			
03/27/08			
07/12/08			

