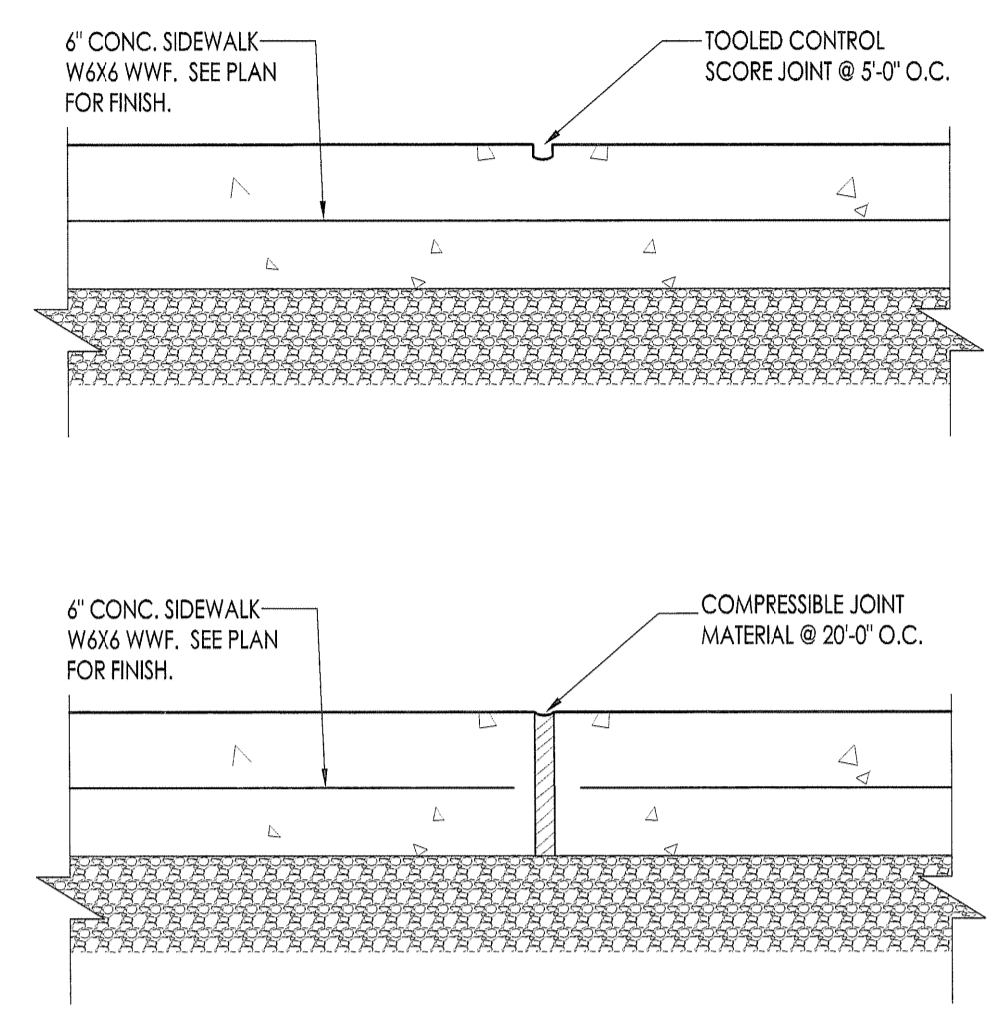


Copyright © 2008
 These drawings are pending copyright and may not be reproduced or reform without written permission. Use of these drawings are limited to a specific project for persons named. Any other use or reuse is strictly prohibited without written consent from Jeff Dahlquist.

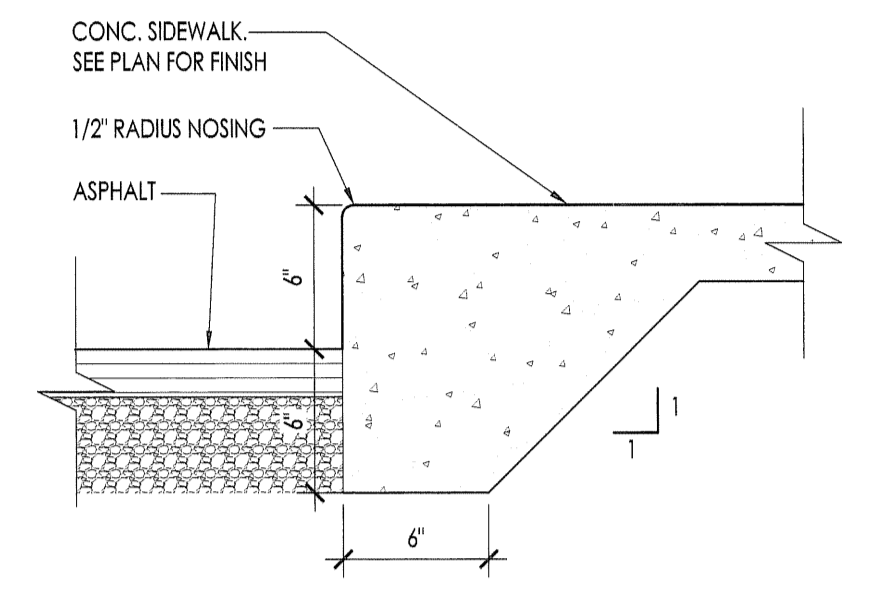
PROJECT & LOCATION
CEDAR RIVER ACADEMY
 ENUMCLAW, WA ~ KING COUNTY

SHEET CONTENTS
GENERAL NOTES AND DETAILS

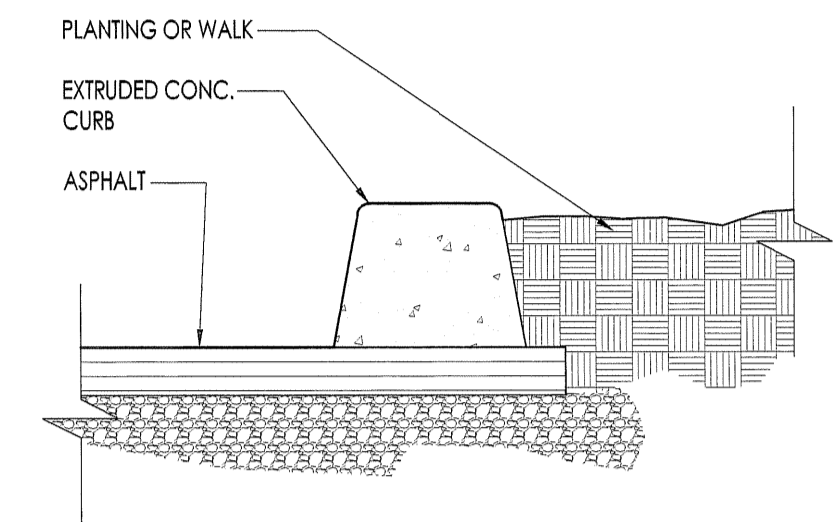
DATE & REVISIONS	CHECK SET	PERMIT SET	COMMENTS SET
02/27/08			
03/27/08			
09/12/08			



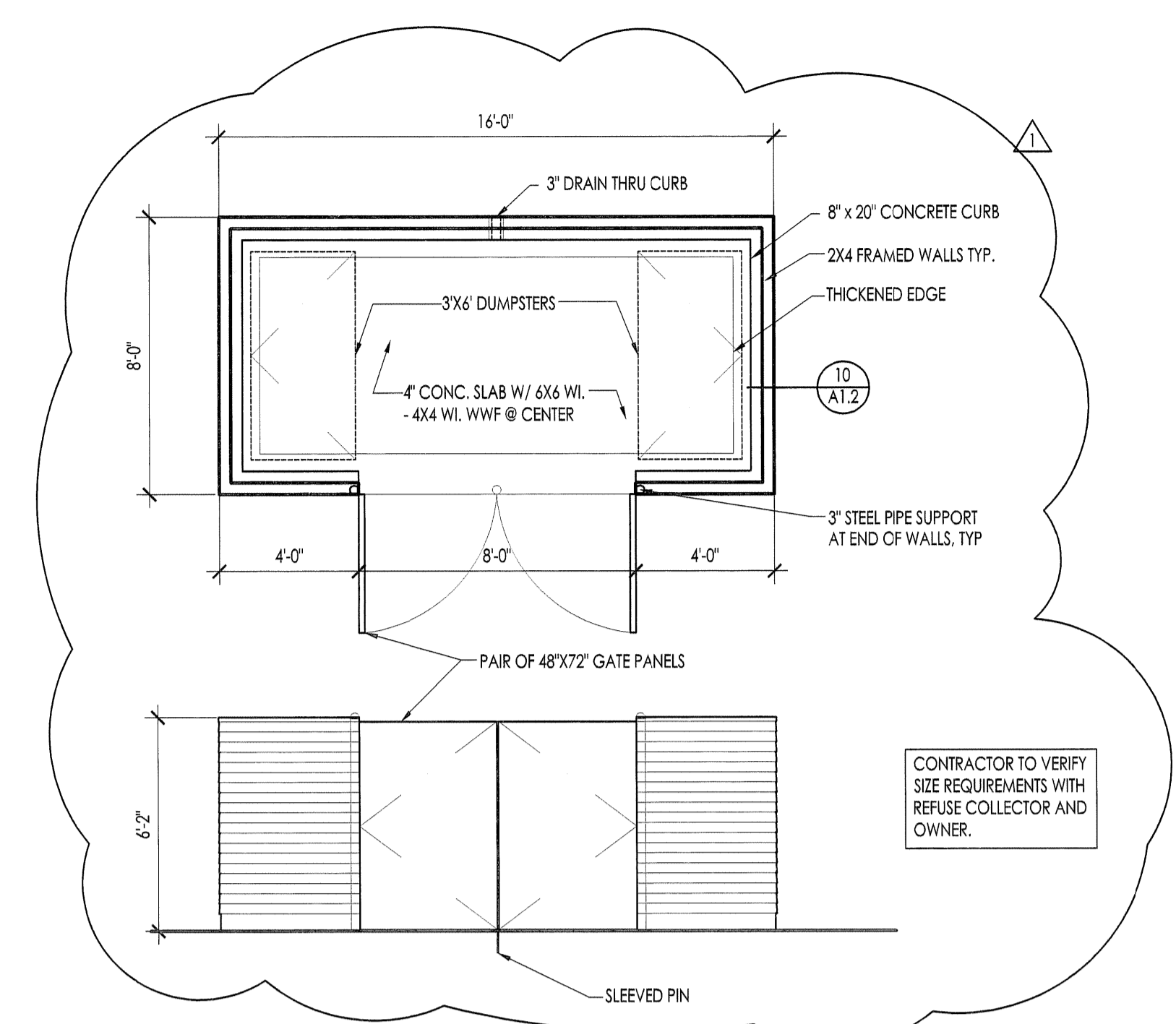
① **SIDEWALK W/ EXPANSION JOINT**
 1-1/2" = 1'-0"



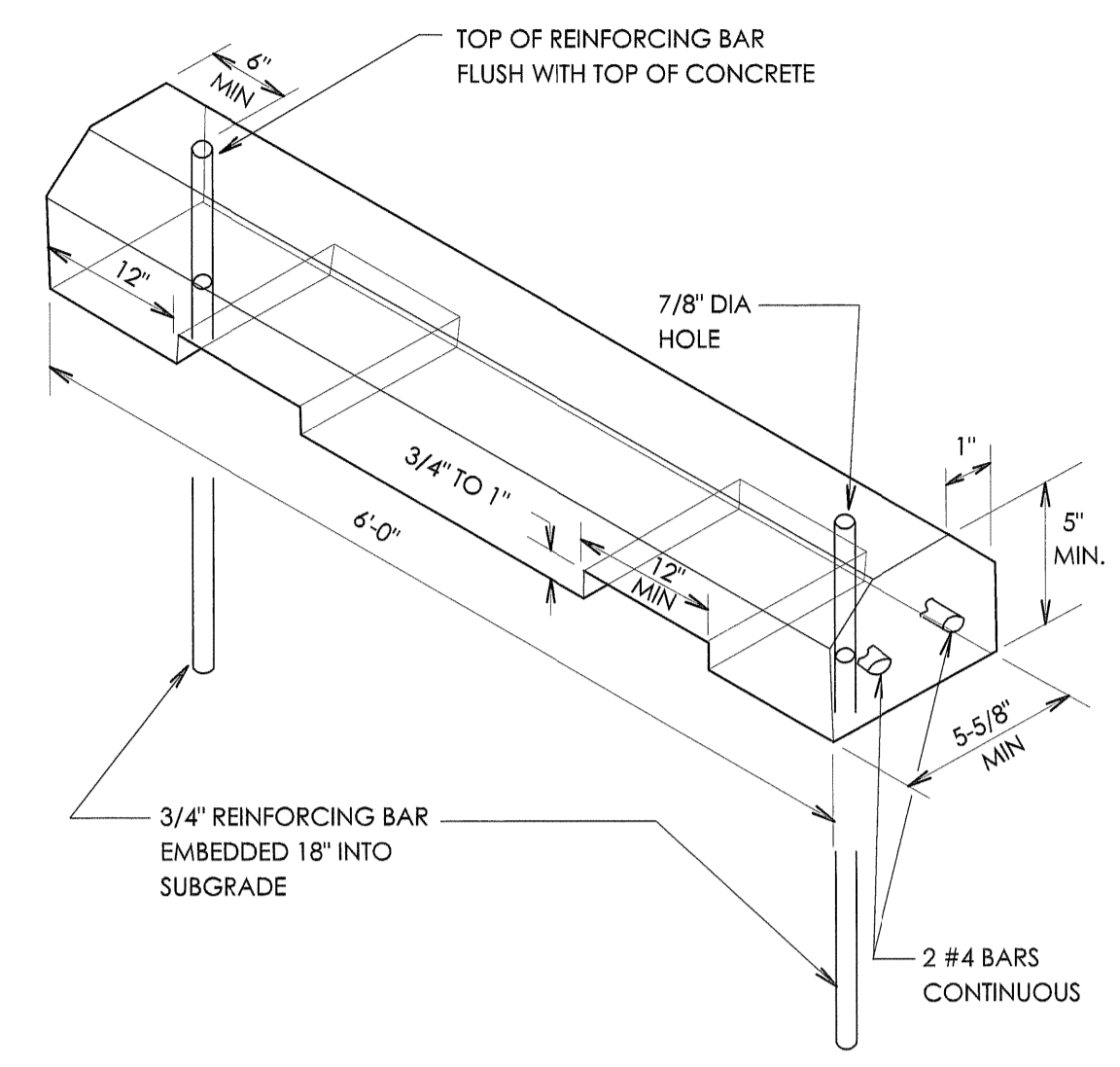
② **SIDEWALK / PAVEMENT DETAIL**
 1-1/2" = 1'-0"



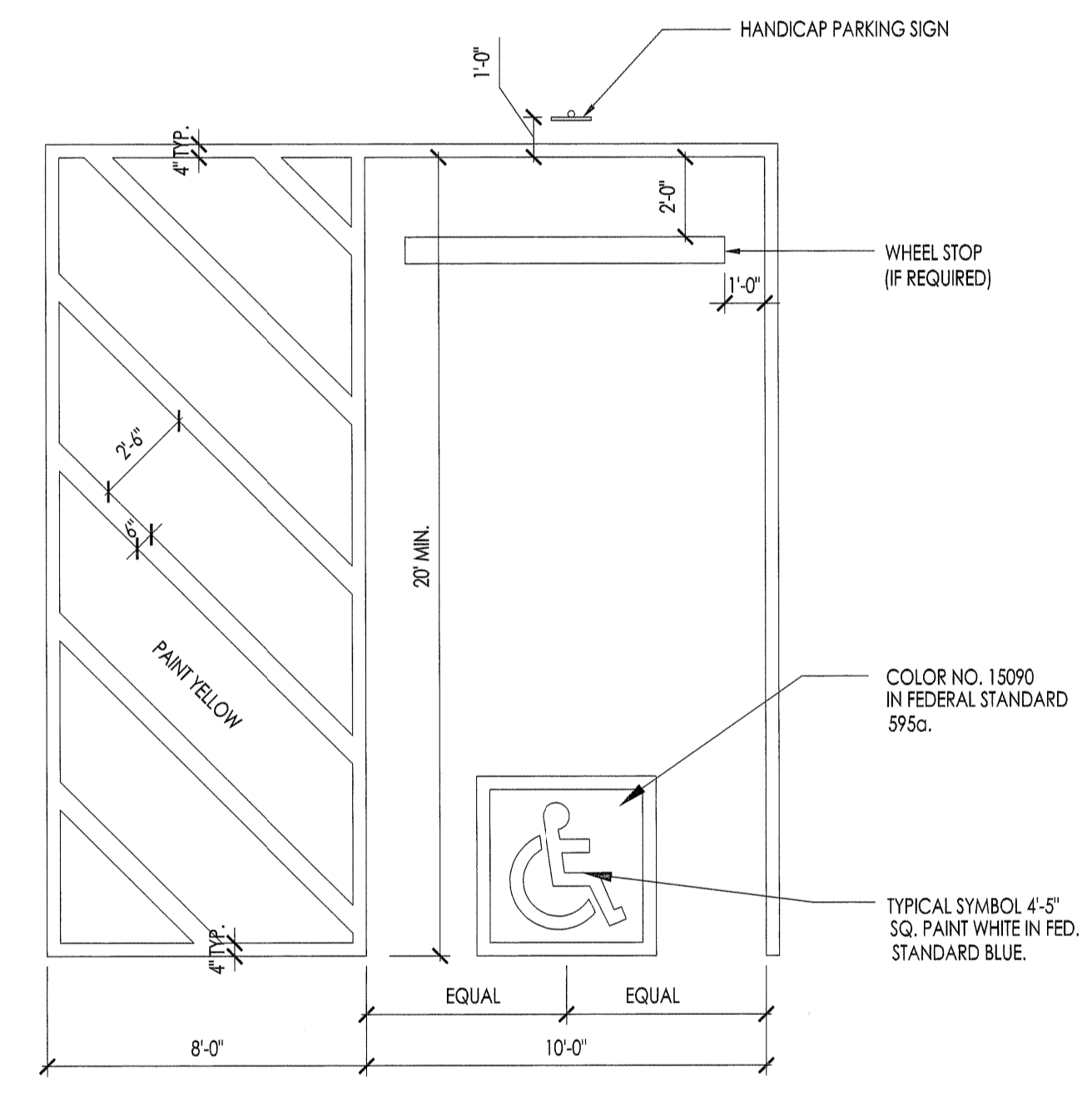
③ **EXTRUDED CURB**
 1-1/2" = 1'-0"



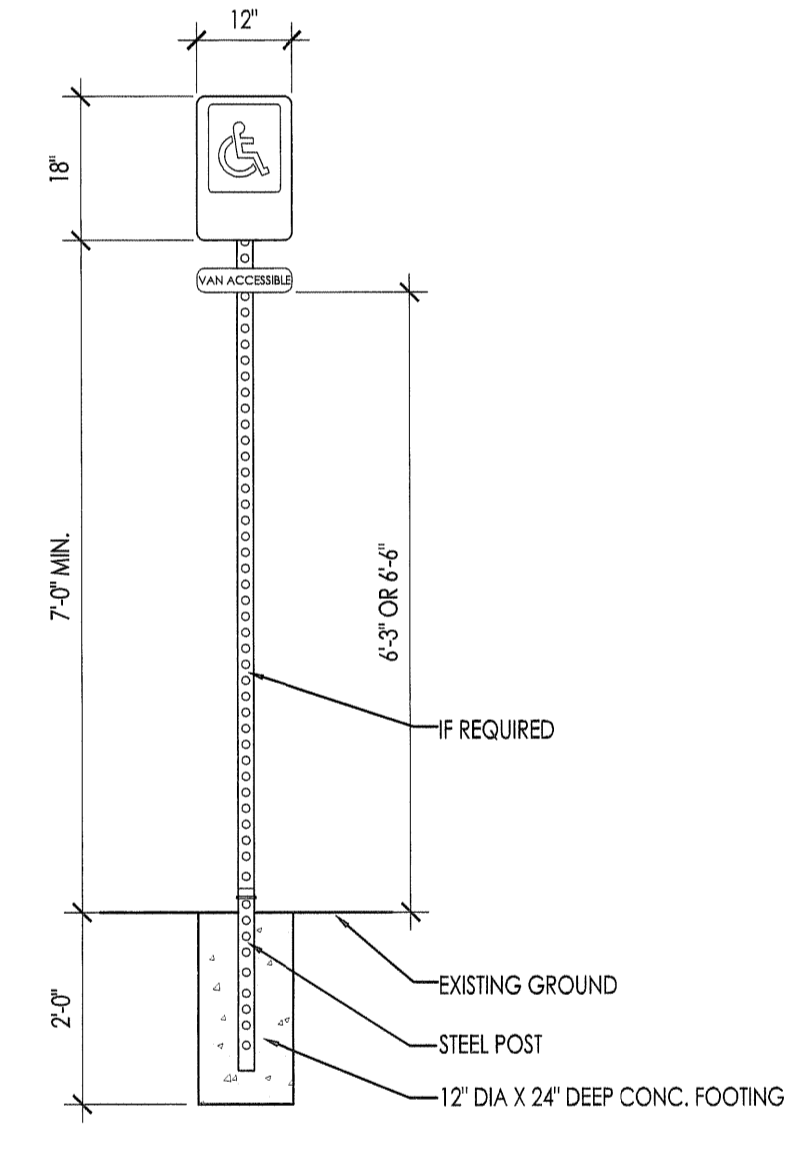
④ **DUMPSTER ENCLOSURE**
 1/4" = 1'-0"



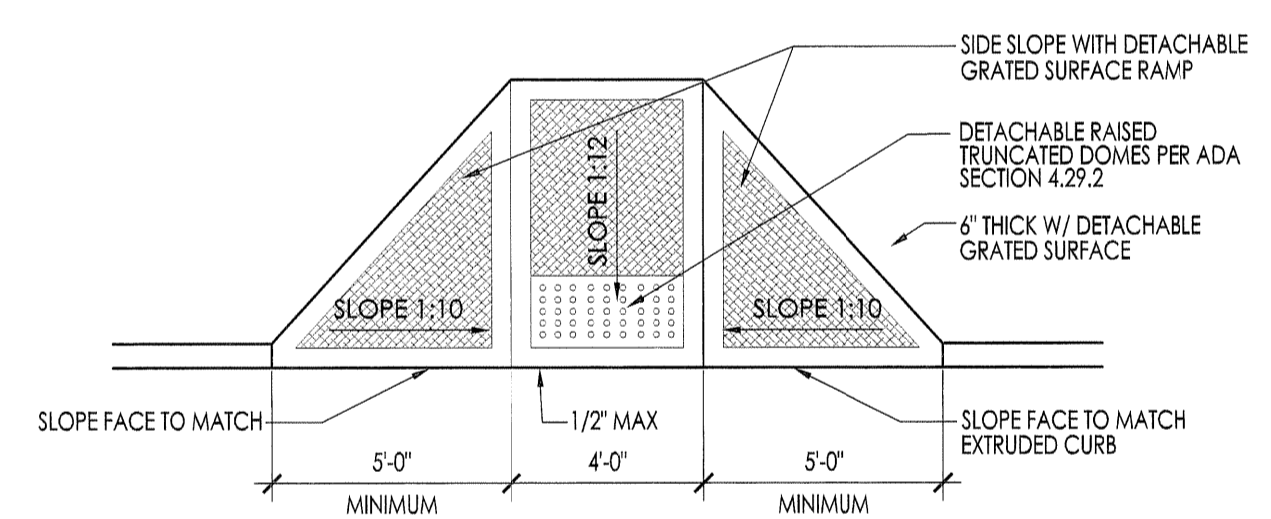
⑤ **PARKING LOT - WHEEL STOP**
 N.T.S.



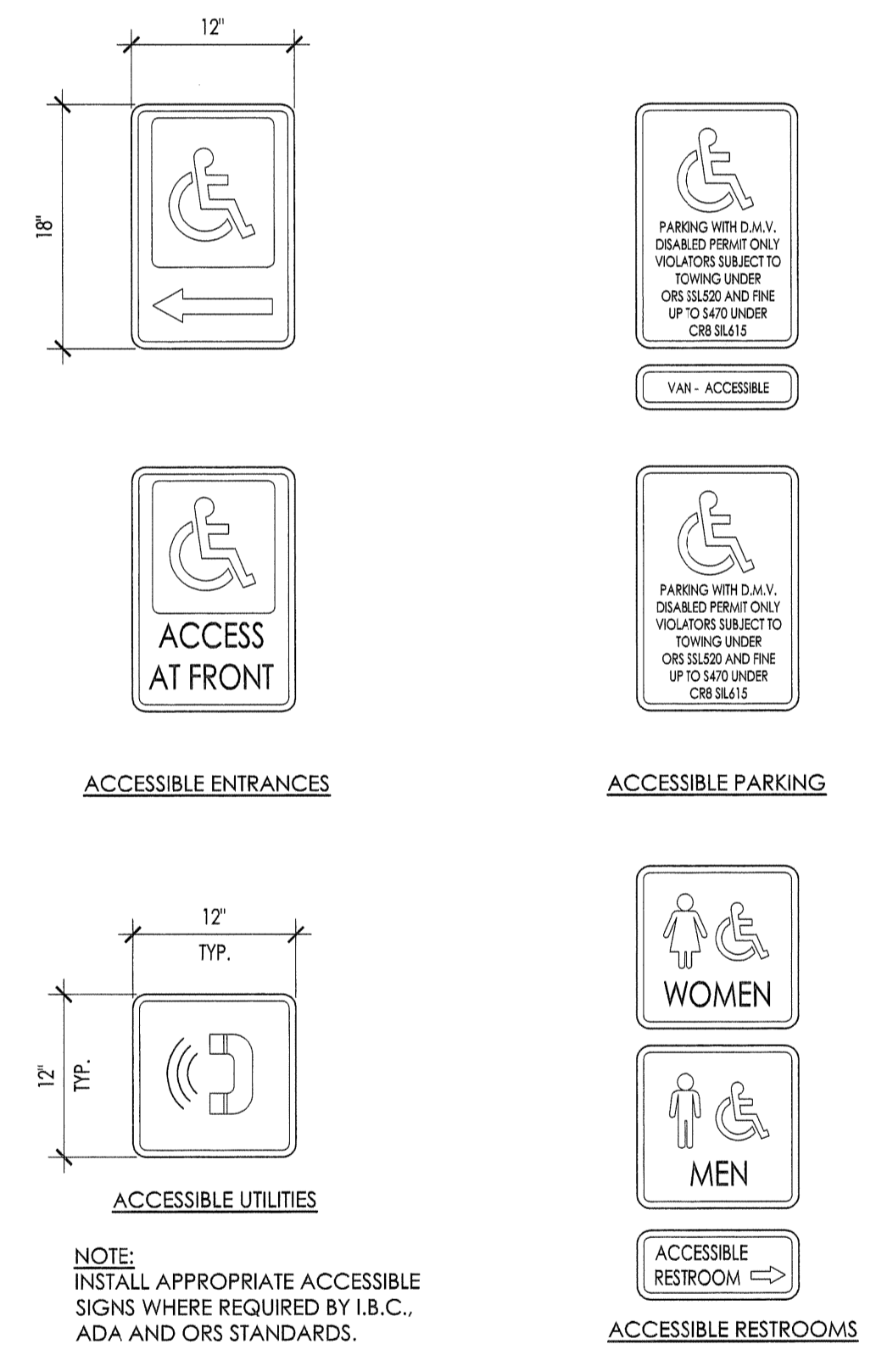
⑥ **VAN ADA PARKING DETAIL**
 1/4" = 1'-0"



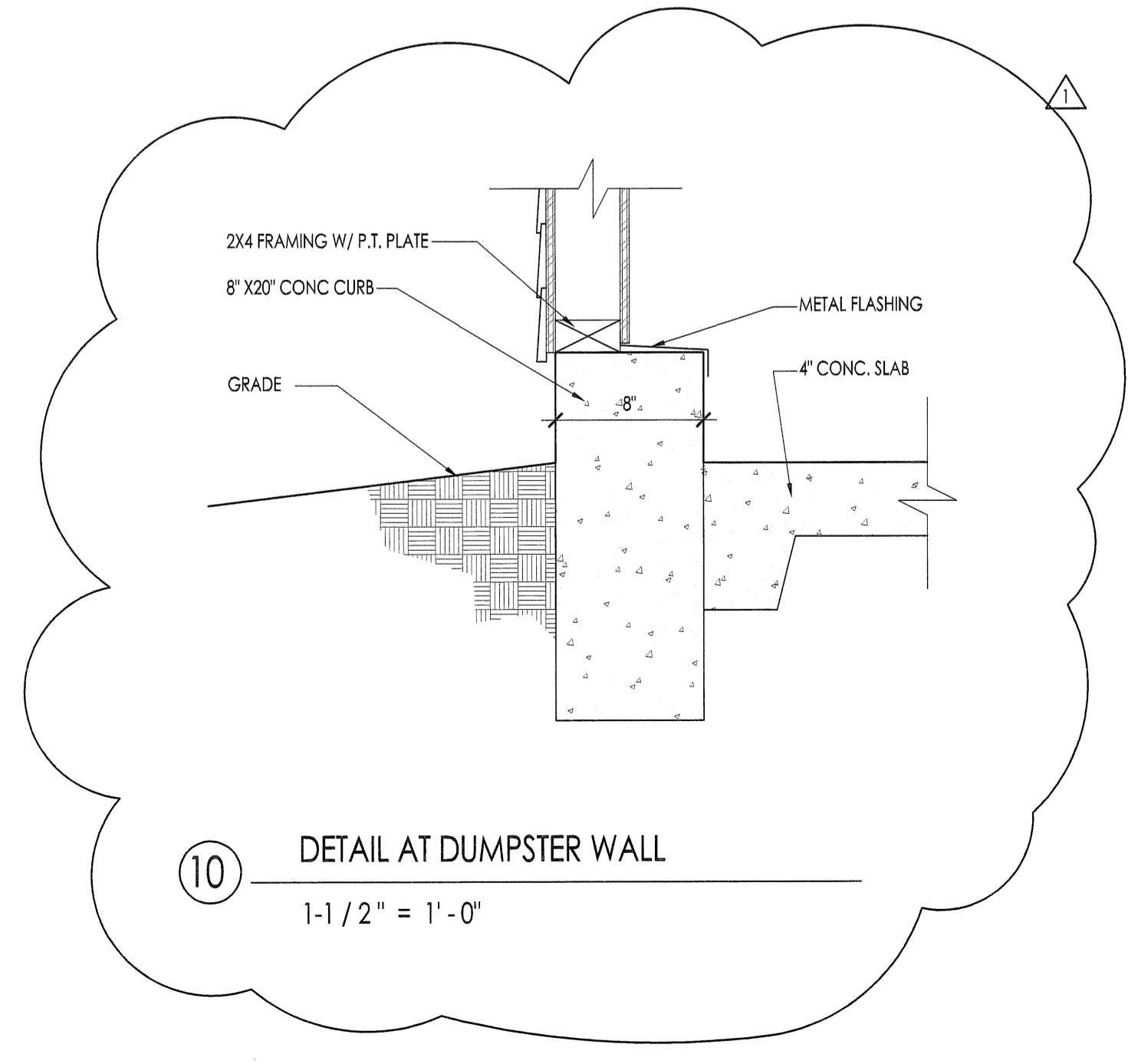
⑦ **ADA PARKING SIGN DETAIL**
 1/2" = 1'-0"



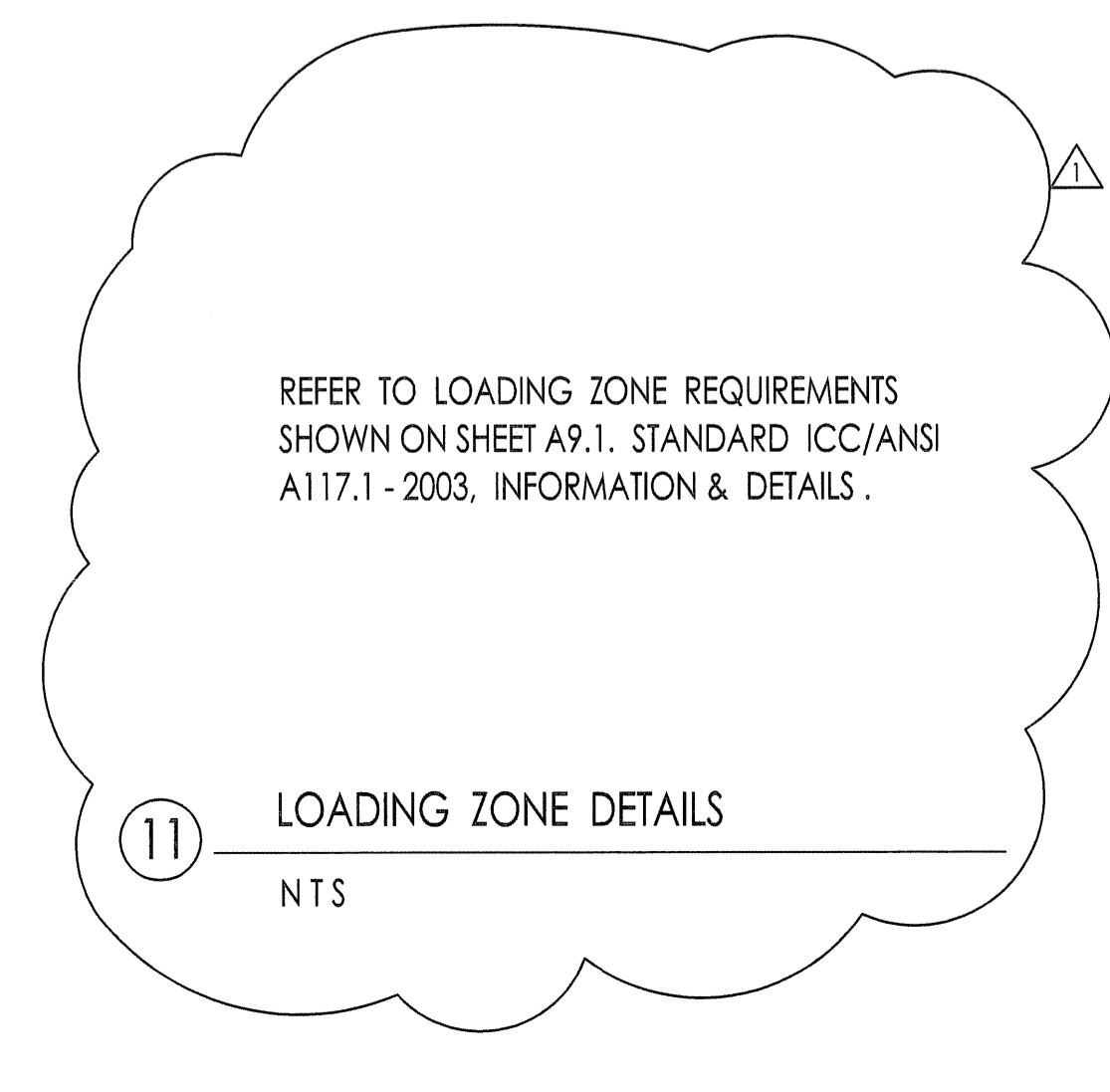
⑧ **ADA CURB RAMP**
 1/2" = 1'-0"



⑨ **TYPICAL ACCESSIBLE SIGNAGE**
 NOT TO SCALE



⑩ **DETAIL AT DUMPSTER WALL**
 1-1/2" = 1'-0"



⑪ **LOADING ZONE DETAILS**
 N.T.S.

